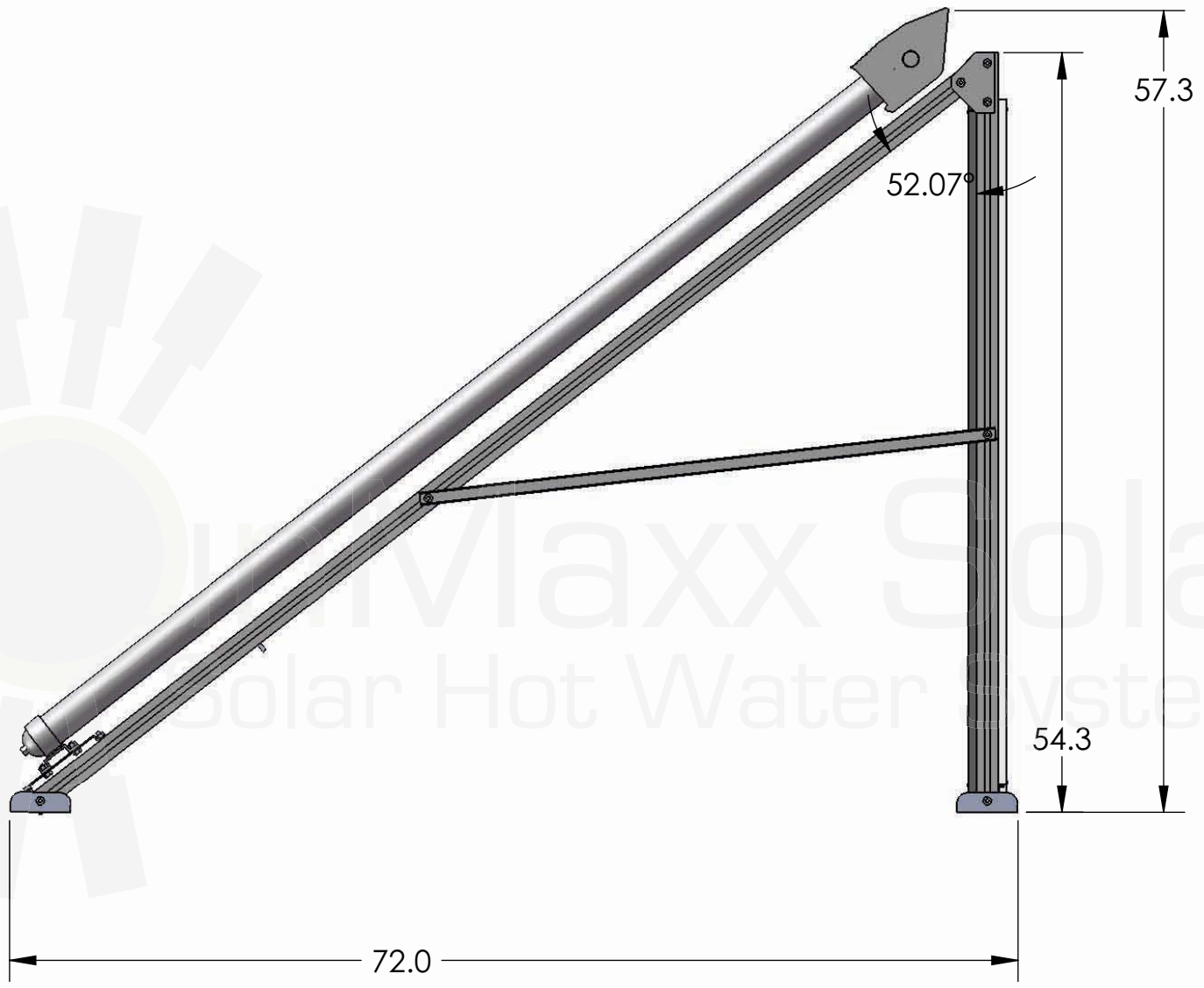




PROPRIETARY AND CONFIDENTIAL
THE INFORMATION CONTAINED IN THIS
DRAWING IS THE SOLE PROPERTY
OF SILICON SOLAR. ANY REPRODUCTION
IN PART OR AS A WHOLE WITHOUT THE
WRITTEN PERMISSION OF SILICON SOLAR
IS PROHIBITED.

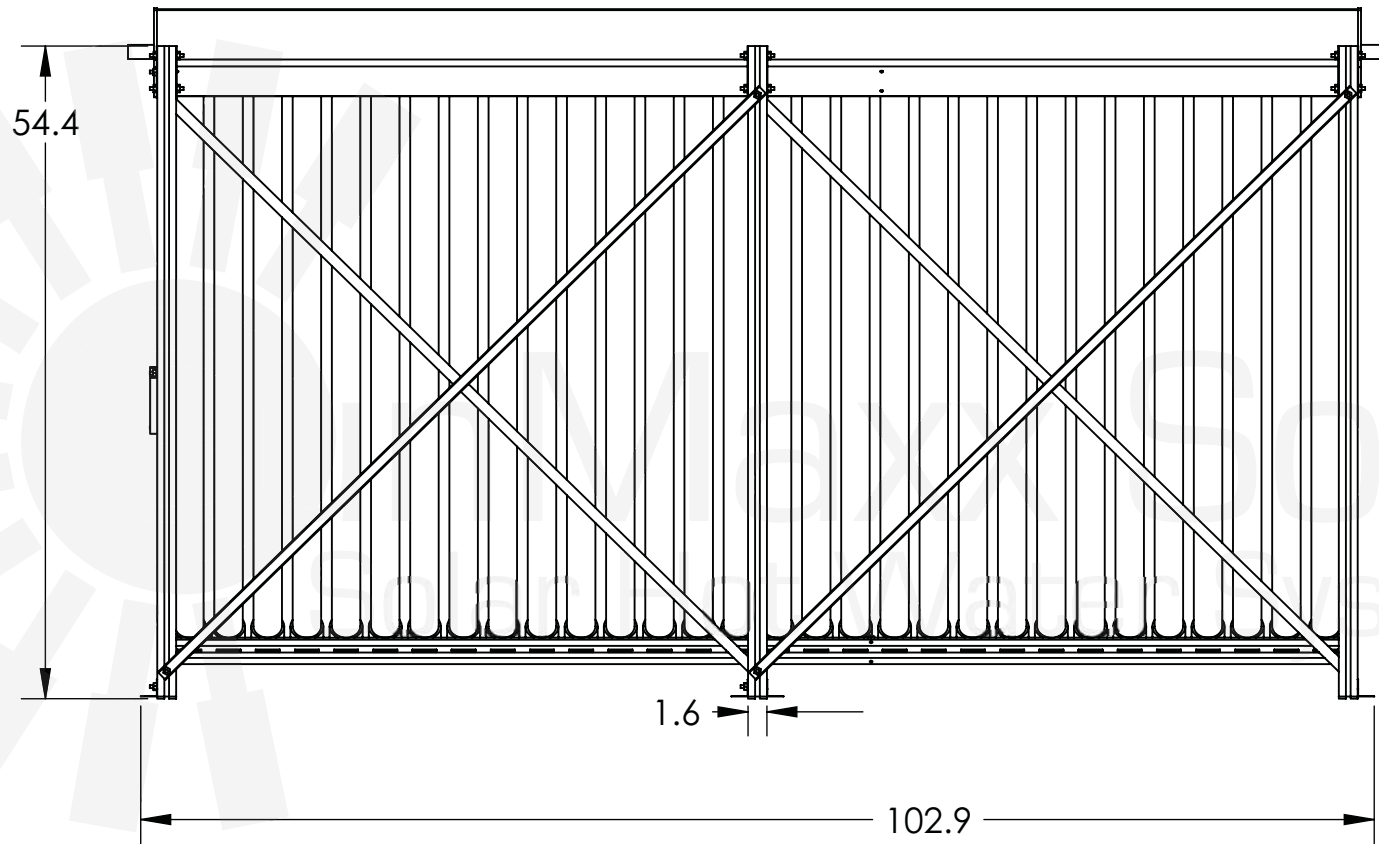
Silicon Solar	
Title: SunMaxx 30	
View: Isometric	
SCALE 1:20	June 18, 2008



SunMaxx Solar
Solar Hot Water Systems

PROPRIETARY AND CONFIDENTIAL
 THE INFORMATION CONTAINED IN THIS
 DRAWING IS THE SOLE PROPERTY
 OF SILICON SOLAR. ANY REPRODUCTION
 IN PART OR AS A WHOLE WITHOUT THE
 WRITTEN PERMISSION OF SILICON SOLAR
 IS PROHIBITED.

Silicon Solar	
Title: SunMaxx 30	
View: Right	
SCALE 1:12 UNITS INCHES	June 18, 2008



PROPRIETARY AND CONFIDENTIAL
 THE INFORMATION CONTAINED IN THIS
 DRAWING IS THE SOLE PROPERTY
 OF SILICON SOLAR. ANY REPRODUCTION
 IN PART OR AS A WHOLE WITHOUT THE
 WRITTEN PERMISSION OF SILICON SOLAR
 IS PROHIBITED.

Silicon Solar	
Title: SunMaxx 30	
View: Back	
SCALE 1:16 UNITS INCHES	June 18, 2008